

FIGURE 1 - PARTS LIST: MK-2025SSP LPG CONCRETE SAW P/N 168953

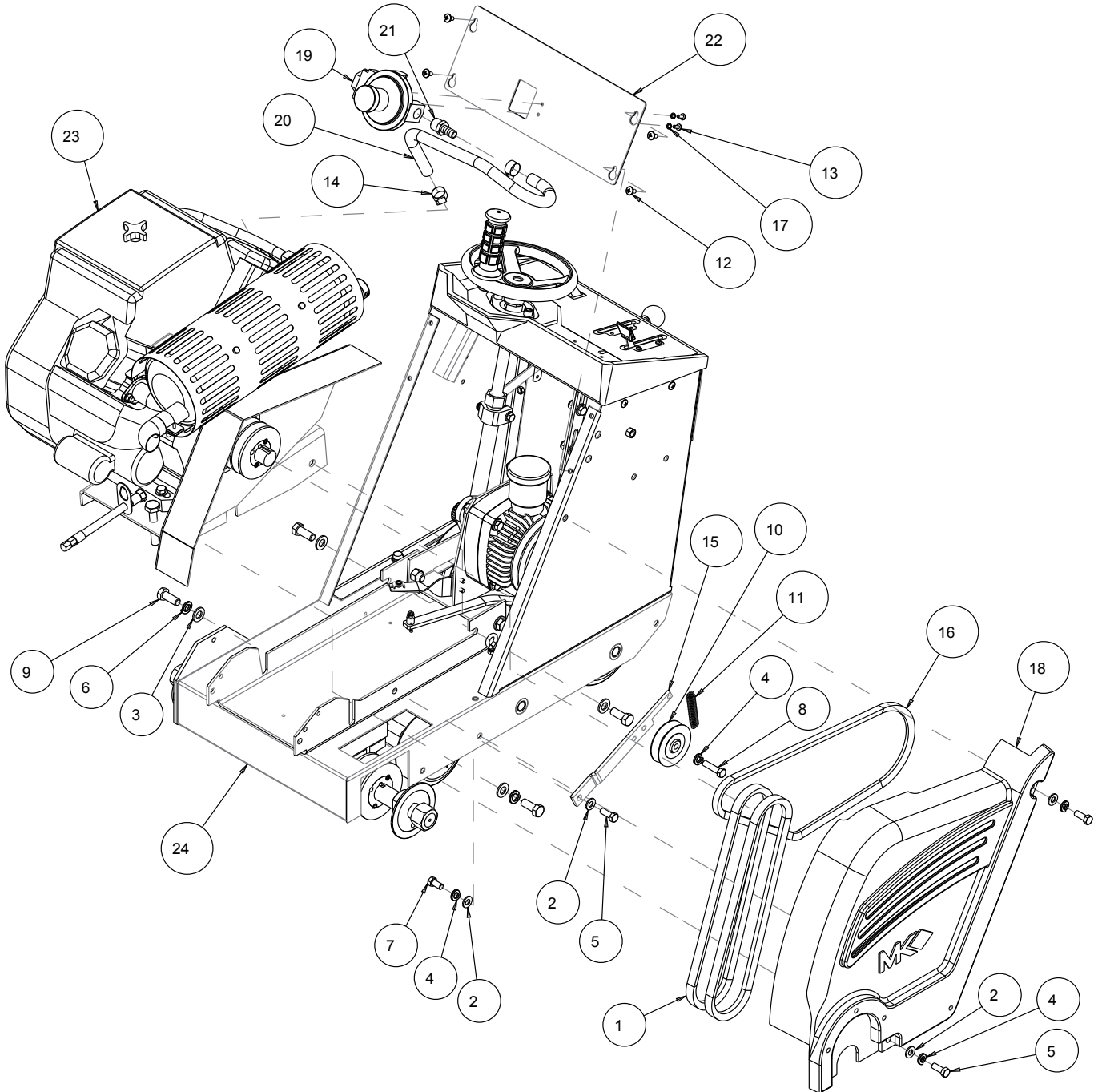


FIGURE 1 - PARTS LIST: MK-2025SSP LPG CONCRETE SAW P/N 168953

ITEM NO.	DESCRIPTION	PART #	QTY. REQ.
1	BELT, BX34	150764	2
2	WASHER, FLAT, SAE, 3/8	150923	4
3	WASHER, LOCK, 1/2 SAE FLAT	150924	4
4	WASHER, LOCK, SPLIT, 3/8	150925	4
5	SCREW, HEX HD CAP, 3/8 - 16 X 1	152507	3
6	WASHER, 1/2 SPLIT LOCK	153524	2
7	SCREW, HEX, 3/8 - 16 X 3/4	153527	1
8	SCREW, 3/8 - 16 X 1 - 1/2 HEX HEAD	153528	1
9	SCREW, 1/2 - 13 X 1 - 1/4 HEX HEAD CAP	153532	4
10	PULLEY, 1A30 X 1/2 BORE IDLER	153797	1
11	SPRING, 9/16 X 2.5 EXTENSION	153807	1
12	SCREW, 1/4 - 20 X 1/2 TRUSS HEAD	153880	4
13	SCREW, HEX HD FL 10 - 24 5/16	154172	2
14	CLAMP, HOSE, 7/8	154173	2
15	BRACKET, IDLER PULLEY	154244	1
16	BELT, AX - 43	156110	1
17	WASHER, LOCK, IT, #10	158336	2
18	CASTING, BELT GRD, SP-C	159888	1
19	REGULATOR, LPG, PRIMARY, COMP	169738	1
20	HOSE, FUEL, LOW PERM, 1/2" ID (22")	169775	1
21	FITTING, 1/2 MNPT X 1/2 BARB	170054	1
22	PANEL, FRONT TOWER, LPG	170056	1
23	ASSY, ENGINE, EH72LPG	170057	1
24	ASSY, FRAME, 20-S LESS ENGINE	170058	1

FIGURE 2 - PARTS LIST: MK-2025SSP LPG CONCRETE SAW P/N 168953

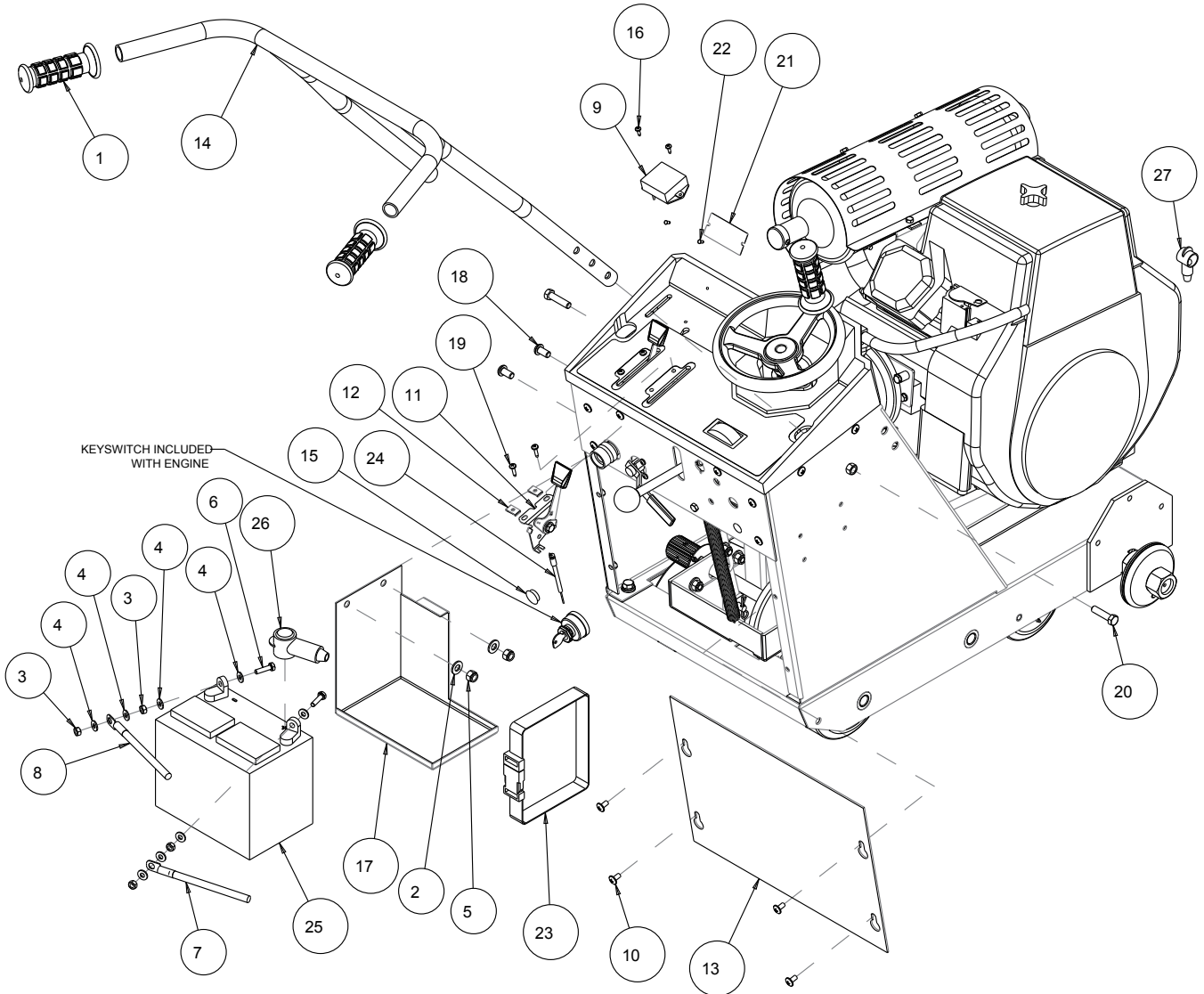


FIGURE 2 - PARTS LIST: MK-2025SSP LPG CONCRETE SAW P/N 168953

ITEM NO.	DESCRIPTION	PART #	QTY. REQ.
1	GRIP, HANDLE, 1.0 LD	150842	2
2	WASHER, FLAT, SAE, 3/8	150923	2
3	NUT, HEX, 1/4 - 20	151893	4
4	WASHER, LOCK, SPLIT, 1/4	151915	8
5	NUT, HEX, NYLK, 3/8 - 16	152505	2
6	SCREW, HEX HD CAP, 1/4 - 20 X 1	152676	2
7	CABLE, 4GA X 48 RED BATTERY	153848	1
8	CABLE, 4GA X 24 BLACK BATTERY	153849	1
9	TACHOMEVER/HOURMETER	153877	1
10	SCREW, 1/4 - 20 X 1/2 TRUSS HEAD	153880	4
11	ASSY, THROTTLE CONTROL	155406	1
12	NUT, 10 - 24 CLIP	155407	2
13	PANEL, TOWER LOWER	156505	1
14	WELDMENT, HANDLEBAR	156516	1
15	PLUG, HOLE PLASTIC 3/4"	156615	1
16	SCREW, PAN HD SELF TAP 8 - 32 X 1/2	156632	2
17	BOX, BATTERY	156634	1
18	SCREW, BTN HD 3/8 - 16 X 3/4 SOCK	156635	2
19	SCREW, PAN HD PHIL MS 10 - 24 X 3/4	156641	2
20	SCREW, HEX HEAD 3/8 - 16 X 1 - 1/2 LG.	156656	2
21	TAG, SERIAL NUMBER, BLANK	157500-RW	1
22	SCREW, BRIVE, RND HD, #7 X 5/16	157849	2
23	STRAP, NYLON, 1"	158094	1
24	CABLE, THROTTLE, 20HP HONDA (COMP)	158815	1
25	BATTERY, 12V, 35AH	162589	1
26	COVER, 1" BATTERY TERMINAL, RED	163940	1
27	COVER, 8 - 4 AWG TERMINAL, RED	168355	1
28	WIRE HARNESS, 2025SSP COMP	170598-SSP	1

FIGURE 3 - PARTS LIST: MK-2025SSP LPG CONCRETE SAW P/N 168953

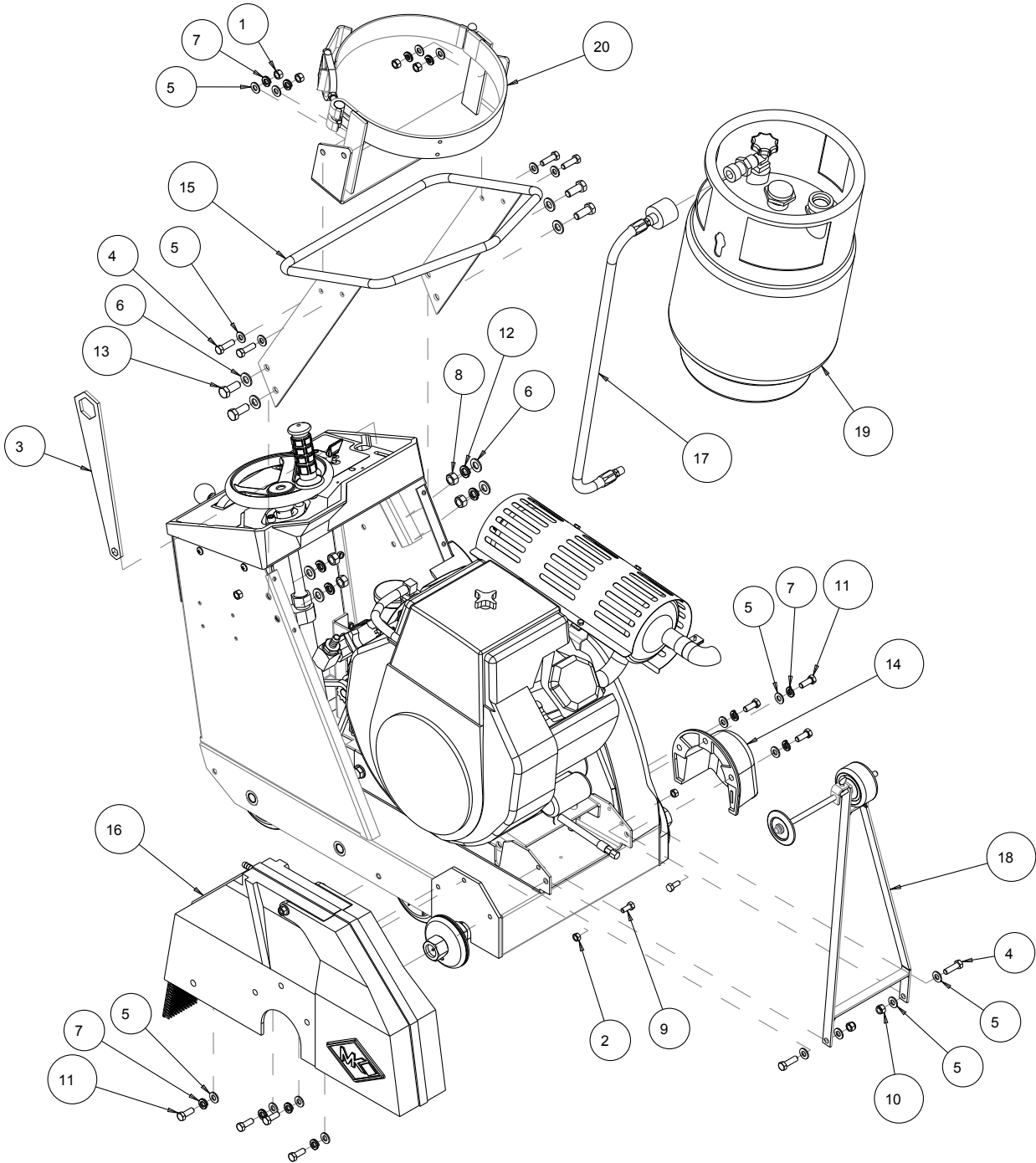


FIGURE 3 - PARTS LIST: MK-2025SSP LPG CONCRETE SAW P/N 168953

ITEM NO.	DESCRIPTION	PART #	QTY. REQ.
1	NUT, HEX, 3.8 - 16	101188	4
2	NUT, HEX, 5/16 - 18	101196	2
3	WRENCH, BOX END, 1 - 1/2 X 9/16	137976	1
4	SCREW, 3/8 - 16 X 1 - 1/4 HEX HEAD CAP	150774	6
5	WASHER, FLAT SAE, 3/8	150923	19
6	WASHER, 1/2 SAE FLAT	150924	2
7	WASH, LOCK, SPLIT, 3.8	150925	11
8	NUT, 1/2 - 13 HEX	151282	4
9	SCREW, HEX HD, CAP, 5/16 - 18 X 3/4	151369	2
10	NUT, HEX, NYLK, 3/8 - 16	152505	2
11	SCREW, HEX HD CAP, 3/8 - 16 X 1	152507	7
12	WASHER, 1/2 SPLIT LOCK	153524	4
13	SCREW, 1/2 - 13 X 1 - 1/4 HEX HEAD CAP	153532	4
14	GUARD, SHAFT (COMP)	156307	1
15	LIFTING BAIL	156543	1
16	ASSY, BLD GRD 20"	158818	1
17	HOSE, 1 - 5/16 X 1/4 X 3' LPG	158872	1
18	ASSY, POINTER CONC SAW	166465	1
19	ASSY, TANK, STEEL, 20# VAPOR WD	167300	1
20	BRACKET, LPG VAPOR TANK	170098	1

FIGURE 4 - PARTS LIST: MK-2025SSP LPG ASSY. ENGINE, EH72LPG P/N 170057

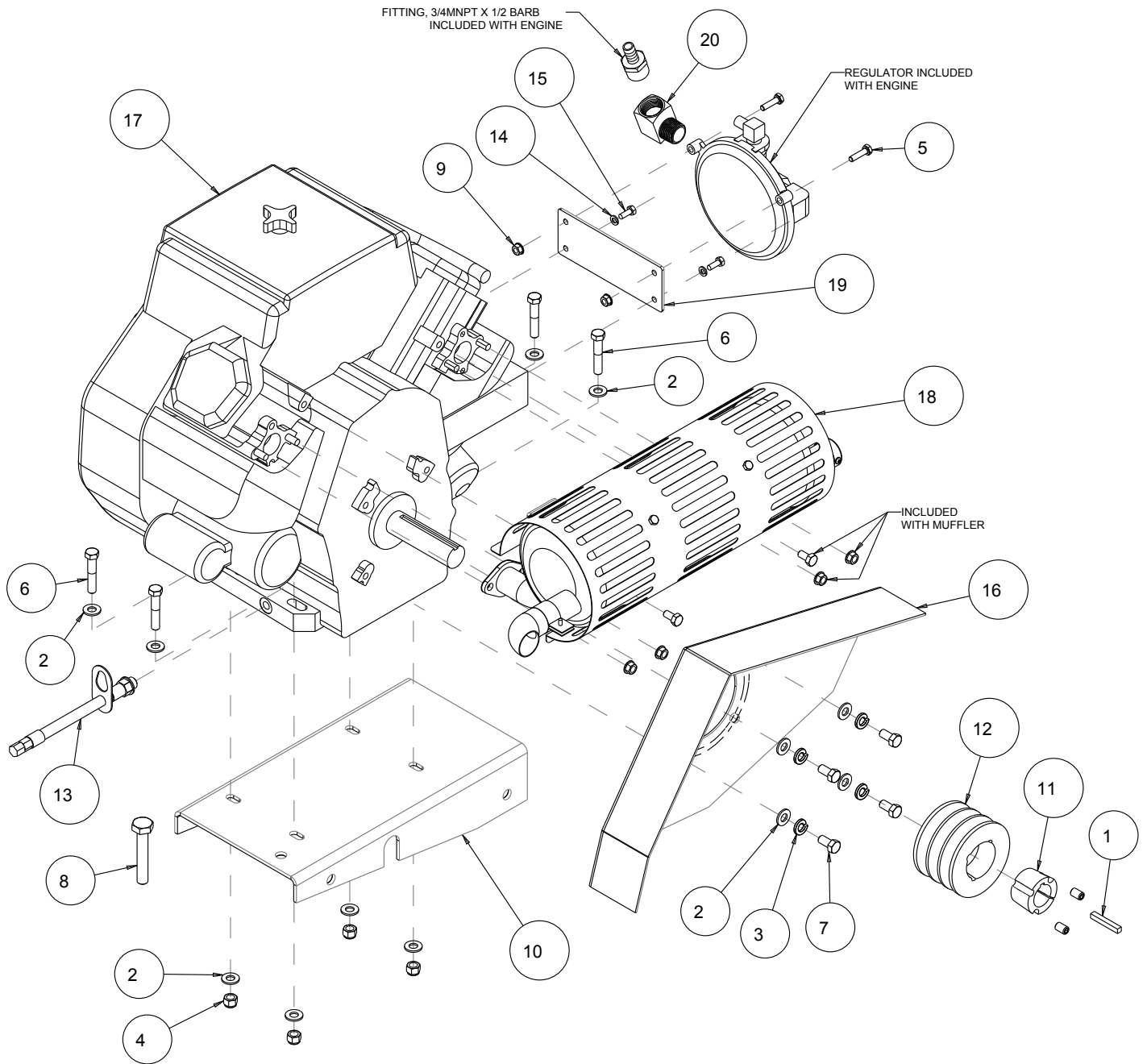


FIGURE 4 - PARTS LIST: MK-2025SSP LPG ASSY. ENGINE, EH72LPG P/N 170057

ITEM NO.	DESCRIPTION	PART #	QTY. REQ.
1	KEY, 1/4 SQR X 1 - 3/4	150796	1
2	WASHER, FLAT, SAE, 3/8	150923	12
3	WASHER, LOCK, SPLIT, 3/8	150925	4
4	NUT, HEX, NYLK, 3/8 - 16	152505	4
5	SCREW, HEX HD, TAP, 1/4 - 20 X 1	152676	2
6	SCREW, HEX HD, CAP, 3/8 - 16 X 2	153485	4
7	SCREW, HEX, 3/8 - 16 X 3/4	153527	4
8	SCRW, HEX HD, TAP, 1/2 - 13 X 3	153854	1
9	NUT, HEX, TW, 1/4 - 20	153941	2
10	MOUNT, ENGINE	154237	1
11	BUSHING, TPR-LOCK 1210 X 1 - 1/8"	154430	1
12	PULLEY, 3A30B34 X 1210TB REV	155009	1
13	HOSE, OIL DRAIN, M14	157577-03	1
14	WASHER, LOCK, SPLIT, M6	158159	2
15	SCREW, HEX HD, CAP, M6 - 1 X 16MM	164219	2
16	PLATE, BELT GUARD, INNER	165608	1
17	ENGINE, SUBARU EH72LPG	168906	1
18	MUFFLER, ENGINE, 22/25HP SUBARU	168908	1
19	PLATE, LPG REGULATOR MOUNT	170053	1
20	ELBOW, STREET, 3/4 BRASS	170055	1

FIGURE 5 - PARTS LIST: MK-2025SSP LPG POINTER P/N 166465

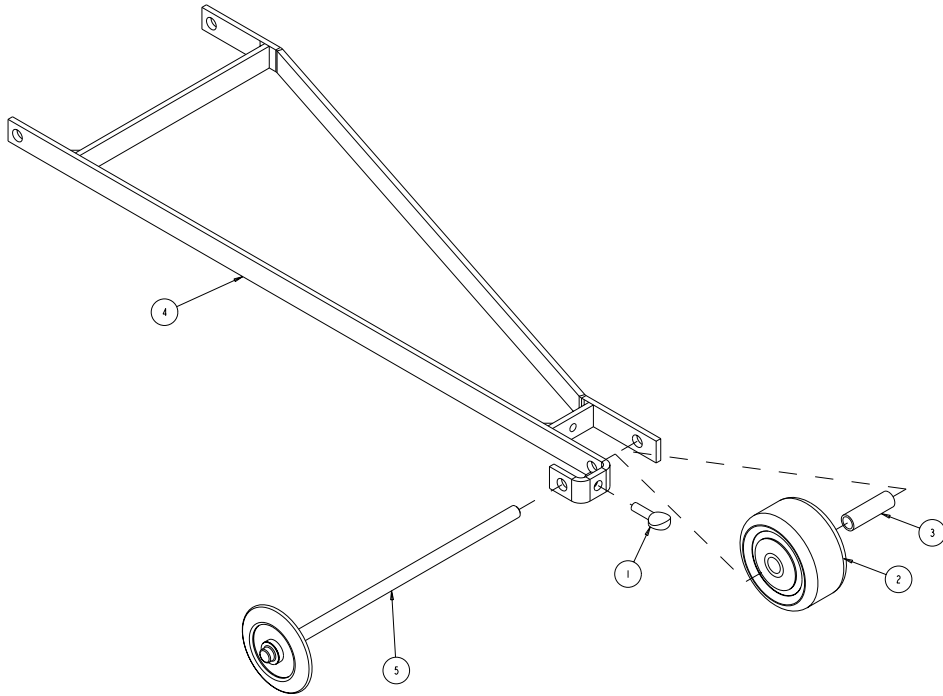


FIGURE 6 - PARTS LIST: MK-2025SSP LPG 20" BLADE GUARD P/N 158818

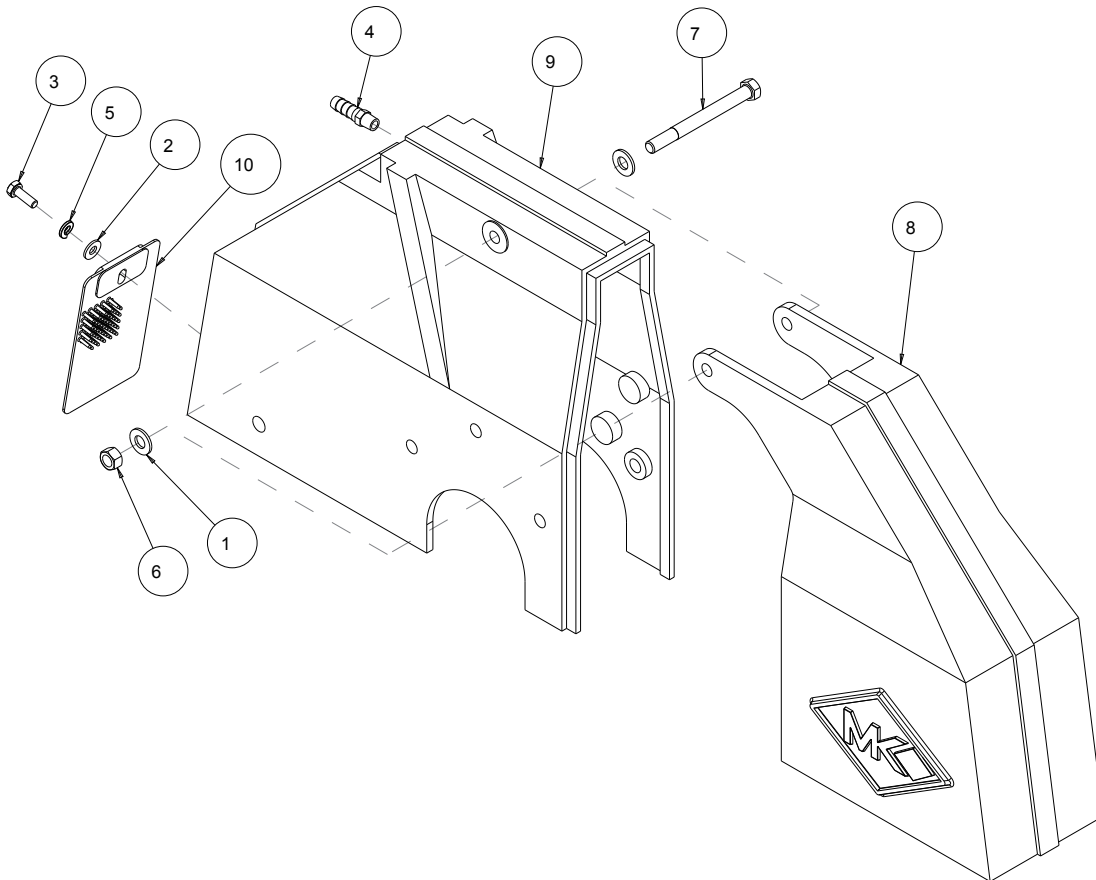


FIGURE 5 - PARTS LIST: MK-2025SSP LPG POINTER P/N 166465

ITEM NO.	DESCRIPTION	PART #	QTY. REQ.
1	SCREW, THUMB 1/4 - 20 X 3.4	150991	1
2	WHEEL, POINTER, 3"	155066	1
3	BUSING, 3/8ID X 1- 5/8L	155153	1
4	POINTER ARM, CONC SAW	156544	1
5	ASSY, POINTER WHEEL	165238	1

FIGURE 6 - PARTS LIST: MK-2025SSP LPG 20" BLADE GUARD P/N 158818

ITEM NO.	DESCRIPTION	PART #	QTY. REQ.
1	WASHER, FLAT, SAE, 3/8	150923	2
2	WASHER, FLAT, SAE, 1/4	151915	1
3	SCREW, HEX HD, 1/4 - 20 X 3/4	152370	1
4	FITTING, 1/8 MNPT X 3.8 BARB	152501	1
5	WASHER, LOCK, SPLIT, 1/4	152591	1
6	NUT, 3/8 - 16 HEX CENTERLOCK	153522	1
7	SCREW, HEX HD, 3.8 - 16 X 4	153531	1
8	CASTING, BLD GRD, 20" FR - C	154062	1
9	CASTING, BLD GRD, 20IN RR - C	156781	1
10	GUARD, SPLASH	160310	1

FIGURE 7 - PARTS LIST: MK-2025SSP LPG CONCRETE SAW P/N 170058

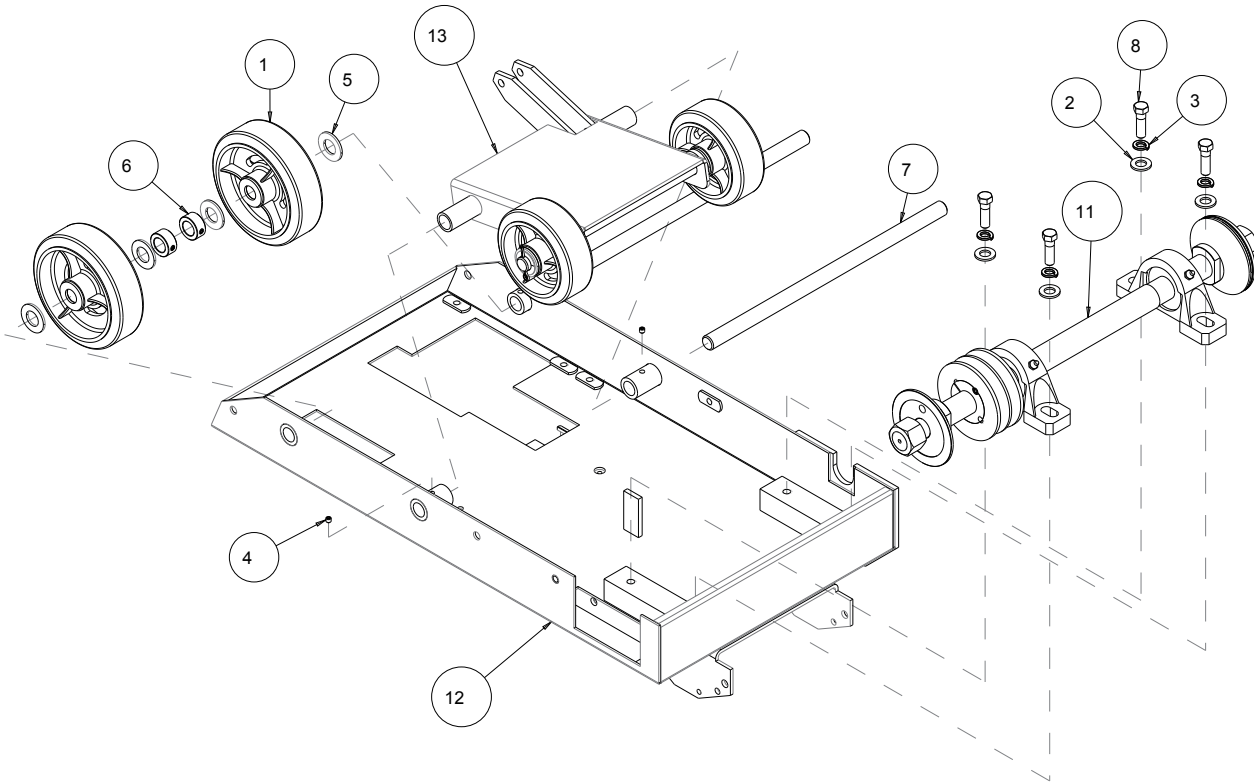


FIGURE 7 - PARTS LIST: MK-2025SSP LPG CONCRETE SAW P/N 170058

ITEM NO.	DESCRIPTION	PART #	QTY. REQ.
1	WHEEL, REAR CONCRETE SAAW	138529	2
2	WASHER, 1/2 SAE FLAT	150924	4
3	WASHER, 7/16 SPLIT LOCK	151051	4
4	SCREW, 5/16 - 18 X 1/2 SOCKET HEAD SET	152607	2
5	WASHER, FLAT, SAE, 3/4	153523	4
6	COLLAR, SET, 3/4"	153814	2
7	AXLE, REAR, Ø 3/4	153873	2
8	SCREW, 7/16 - 14 X 1-1/2 SOCKET HEAD SET	155155	4
9	ASSY, THROTTLE CONTROL	155406	1
10	ASSY, PIN CLEVIS 3/8 X 1 -1/4	156611	1
11	ASSY, BLADE SHAFT, 20HP	156654	1
12	FRAME, WELDMENT	157092	1
13	ASSY, TRUCK	169710	1

FIGURE 8 - PARTS LIST: MK-2025SSP LPG CONCRETE SAW P/N 170058

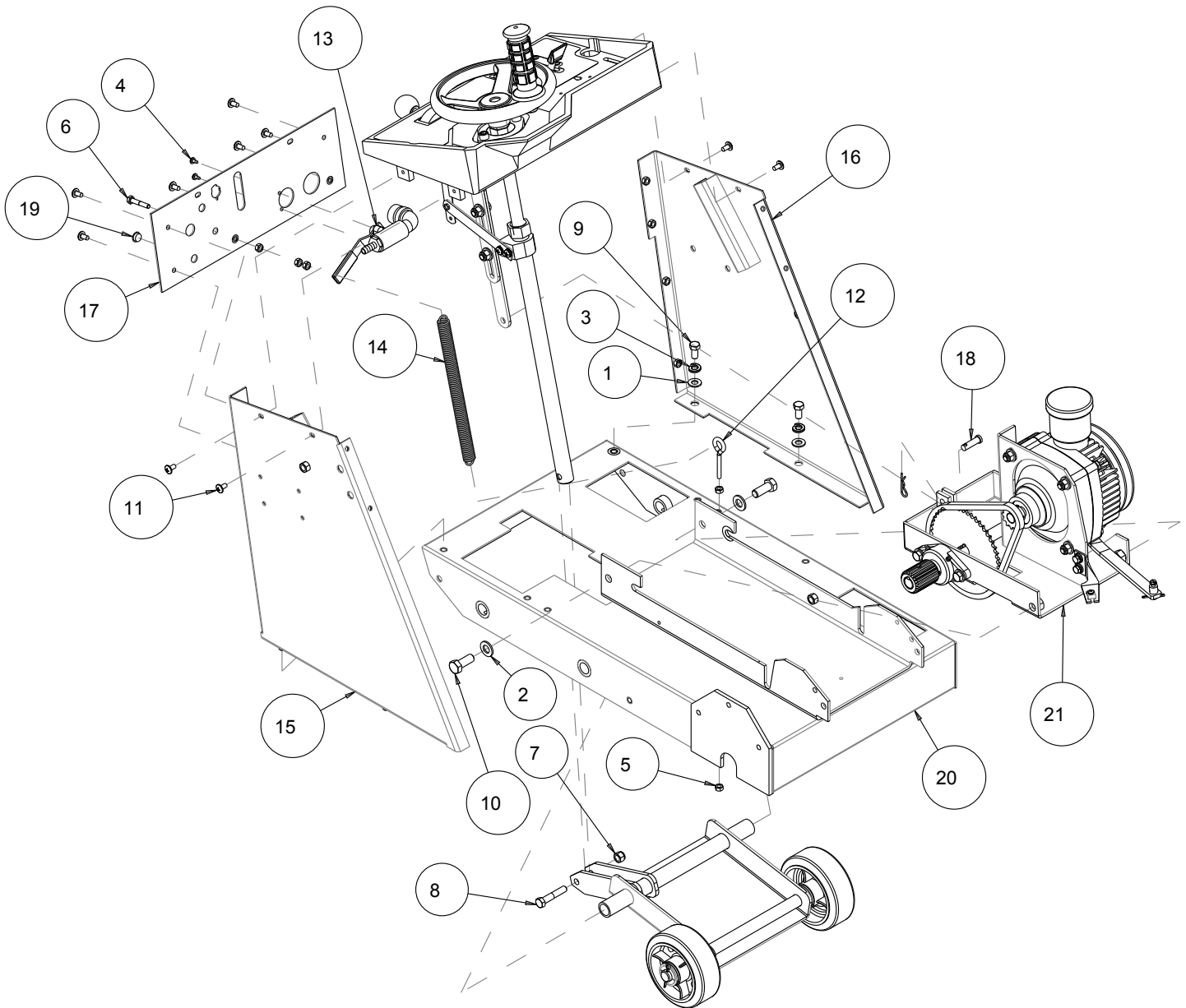


FIGURE 8 - PARTS LIST: MK-2025SSP LPG CONCRETE SAW P/N 170058

ITEM NO.	DESCRIPTION	PART #	QTY. REQ.
1	WASHER, FLAT, SAE, 3/8	150923	13
2	WASHER, 1/2 SAE FLAT	150924	2
3	WASHER, LOCK, SPLIT, 3/8	150925	4
4	SCREW, PAN HD SELF TP10-24 X 3/8	151262	2
5	NUT, HEX, 1/4 - 20	151893	6
6	SCREW, HEX HEAD 1/4 - 20 X 1 - 1/2"	151914	1
7	NUT, HEX, NYLK, 3/8 - 16	152505	6
8	SCREW, HEX HD, CAP, 3/8 - 16 X 2	153485	2
9	SCREW, HEX, 3/8 - 16 X 3/4	153527	4
10	SCREW, 1/2 - 13 C 1 - 1/4 HEX HEAD CAP	153532	2
11	SCREW, 1/4 - 20 X 1/2 TRUSS HEAD	153880	10
12	EYEBOLT, 1/4 - 20 X 2	153887	1
13	ASSY, WATER VALVE	153888	1
14	SPRING, EXTENSION	153957	1
15	PANEL, SIDE COV R HND	156500	1
16	PANEL, SIDE COV L HND	156501	1
17	PANEL, TOWER UPPER BACK	156504	1
18	ASSY, PIN CLEVIS 3/8 X 1 - 1/4	156611	1
19	PLUG, 1/2 FLUSH HEAD BUTTON	156779	1
20	FRAME, WLEDMENT	157092	1
21	ASSY, TRANSMISSION	169711	1

FIGURE 9 - PARTS LIST: MK-2025SSP LPG CONCRETE SAW P/N 170058

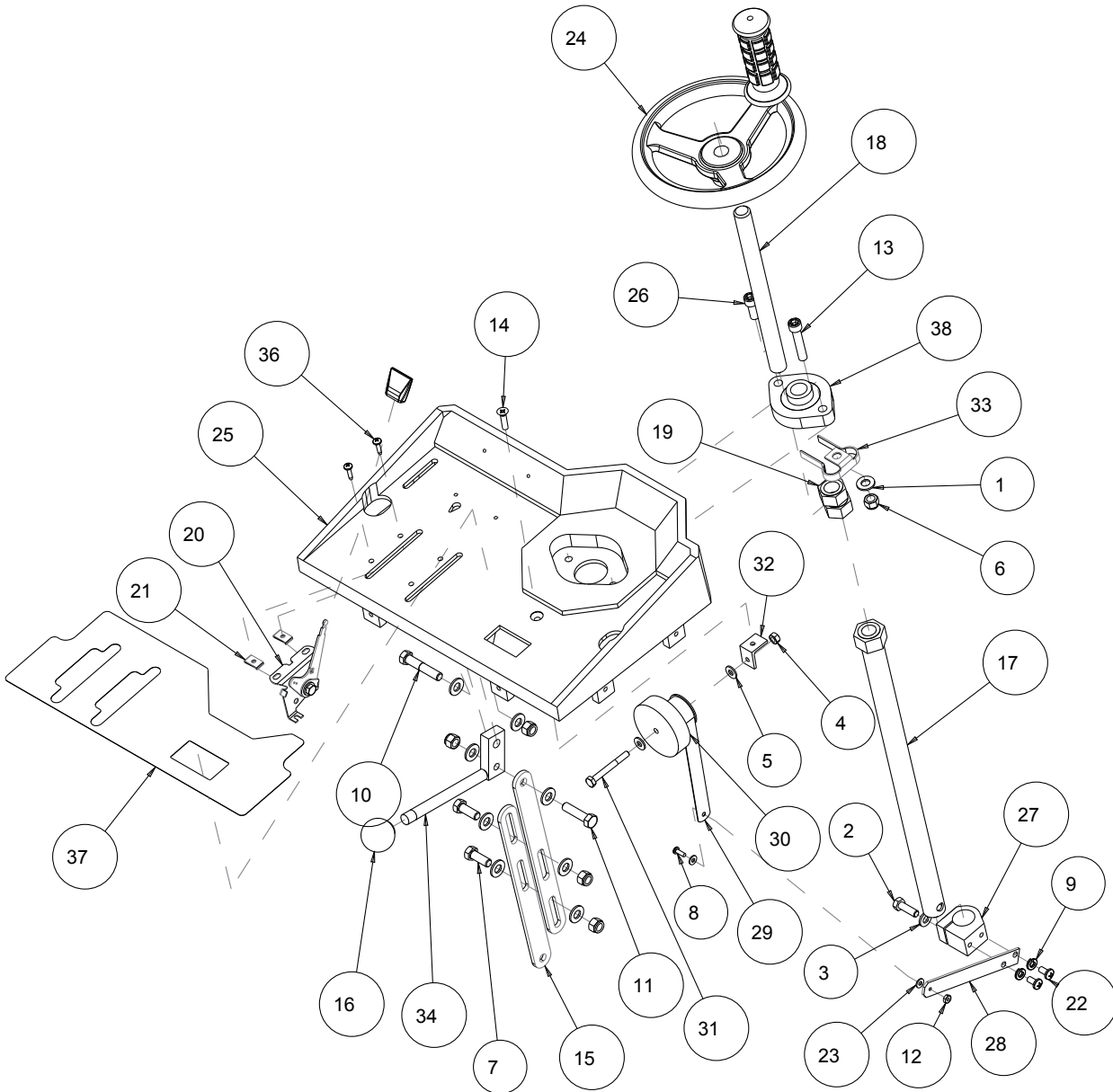


FIGURE 9 - PARTS LIST: MK-2025SSP LPG CONCRETE SAW P/N 170058

ITEM NO.	DESCRIPTION	PART #	QTY. REQ.
1	WASHER, FLAT, SAE, 3/8	150923	9
2	SCREW, HEX HD, 5/16 - 18 X 1	151743	1
3	WASHER, FLAT, SAE, 5/16	151754	1
4	NUT, HEX, 1/4 - 20	151893	1
5	WASHER, FLAT, SAE, 1/4	151915	2
6	NUT, HEX, NYLK, 3/8 - 16	152505	5
7	SCREW, HEX HD CAP, 3/8 - 16 X 1	152507	2
8	SCREW, RND HD, #8 - 32 X 1/2	152517	1
9	WASHER, LOCK, SPLIT, 1/4	152591	2
10	SCREW, HEX HD, CAP, 3/8 - 16 X 2	153485	1
11	SCREW, 3/8 - 16 X 1 - 1/2 HEX HEAD	153528	1
12	NUT, HEX, 8 - 32	153549	1
13	SCREW, SOC, HD, CAP, 3/8 - 16 X 2	153643	1
14	SCREW, FLAT HD. SOC. 1/4 - 20 X 1"	153894	1
15	ARM, DRIVE ADJUSTMENT	154242	2
16	KNOB, 1/2 - 20 FEM BALL	154486	1
17	LINKAGE, DPTH FEED 1600/9000	155049	1
18	STUD, 3/4 - 10 X 10"	155062	1
19	NUT, 3/4 - 10 X 10"	155063	2
20	ASSY, THROTTLE CONTROL	155406	1
21	NUT, 10 - 24 CLIP	155407	2
22	SCREW, PAN HD, CAP, 1/4 - 20 x 1/2	155452	2
23	WASHER, FLAT, SAE, #8	155454	2
24	ASSY, CRANK WHEEL, 3/4 - 10	155457	1
25	PANEL, CONTROL (COMP)	156305	1
26	SCREW, SOCKET HEAD CAP 3/8 - 16 X 1	156602	1
27	CLAMP, DEPTH INDICATOR	156603	1
28	ARM, DEPTH INDICATOR	156604	1
29	SPRING, DEPTH GAUGE	156605	1
30	SPOOL, 2.75 DIA DEPTH INDICATOR	156606	1
31	SCREW, HEX HD, CAP, 1/4 - 20 X 2 - 1/4	156607	1
32	BRACKET, DEPTH INDICATOR	156608	1
33	SPRING, DETENT	156609	1
34	HANDLE, ENGAGE	156610	1
35	ASSY, PIN CLEVIS 3/8 X 1 - 1/4	156611	1
36	SCREW, PAN HD PHIL MS 10 - 24 X 3/4	156641	2
37	LABEL, CONTROL PANEL	165136	1
38	BEARING, FLANGE, 3/4ID, FD204	165971	1

FIGURE 10 - PARTS LIST: MK-2025SSP LPG ASSY. BLADE SHAFT P/N 156654

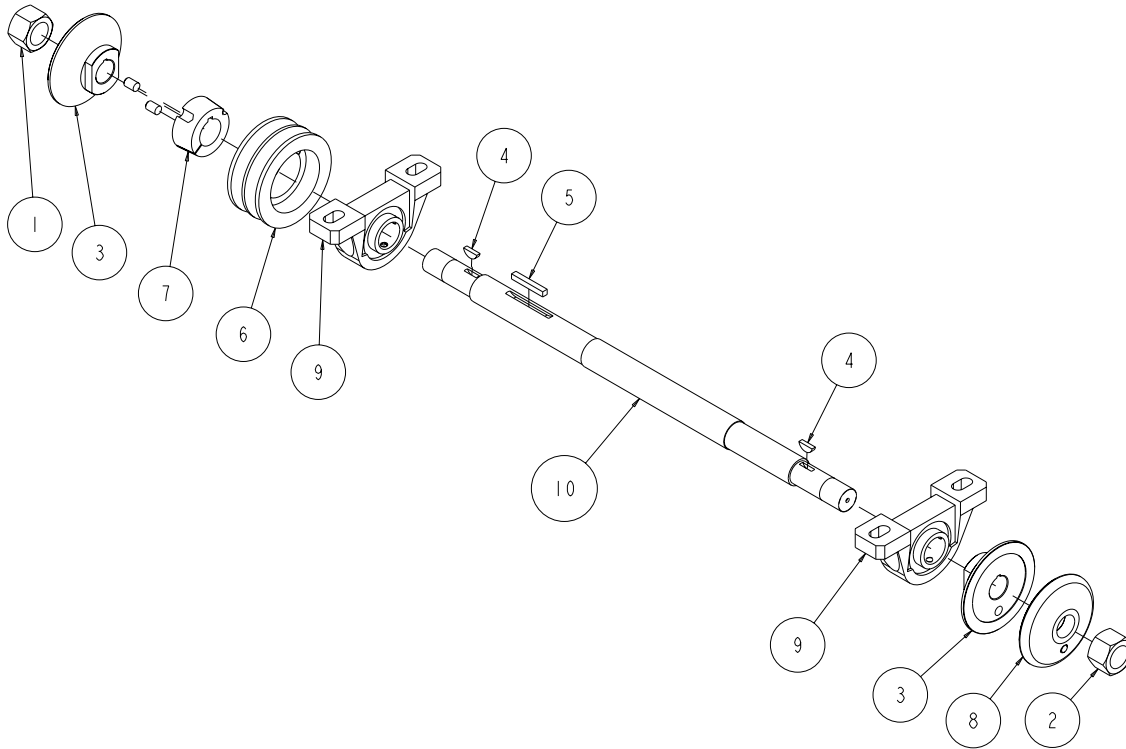


FIGURE 11 - PARTS LIST: MK-2025SSP LPG ASSY. TRUCK P/N 169710

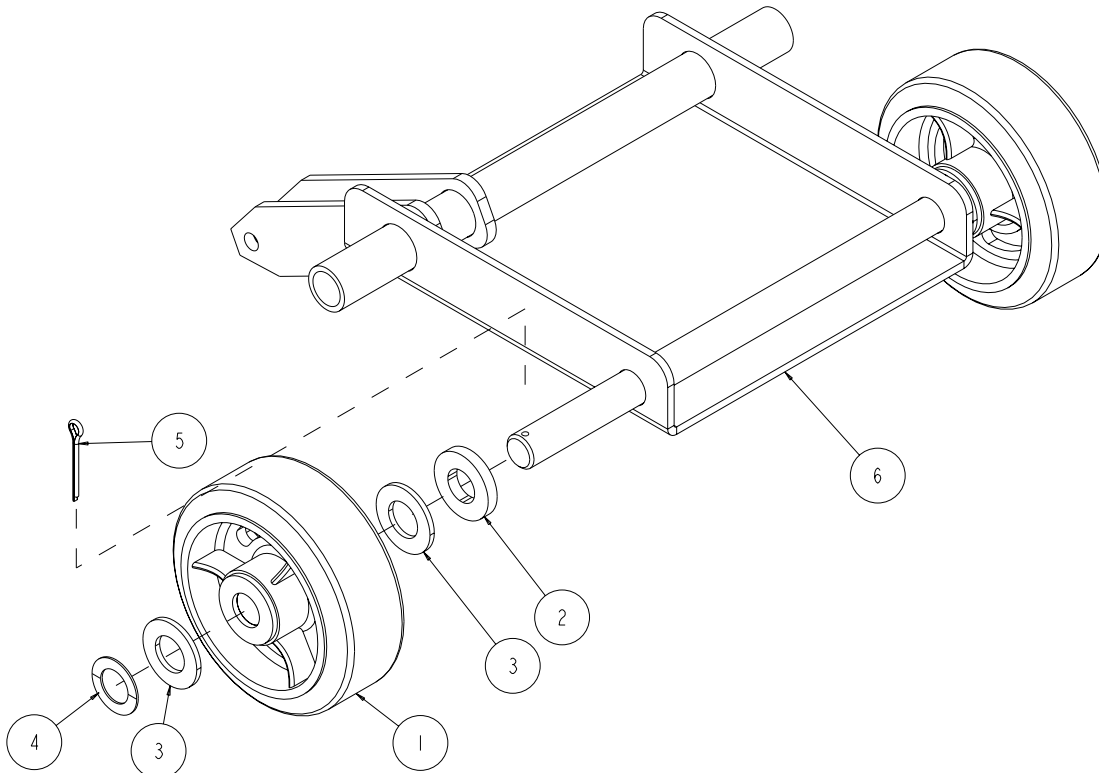


FIGURE 10 - PARTS LIST: MK-2025SSP LPG ASSY. BLADE SHAFT P/N 156654

ITEM NO.	DESCRIPTION	PART #	QTY. REQ.
1	NUT, 1 - 14 RIGHT HAD	138693	1
2	NUT, 1 - 14 LEFT HAND	138701	1
3	FLANGE, INNER	150731	2
4	KEY, 3/16 X 3/4 WOODRUFF	150794	2
5	KEY, SQUARE, 1/4 X 1 - 3/4	150796	1
6	PULLEY, 2A34B38 X 1610TB	155010	1
7	BUSHING, TPR-LOCK 1610 X 1 - 3/16"	155011	1
8	ASSY, OUTER FLANGE, 4"	155451	1
9	BEARING, 1 - 3/6 ID PILLOW BLOCK	155622	2
10	SHAFT, 1 3/16 BLADE	156599	1

FIGURE 11 - PARTS LIST: MK-2025SSP LPG ASSY. TRUCK P/N 169710

ITEM NO.	DESCRIPTION	PART #	QTY. REQ.
1	WHEEL, FRONT 5" X 2" W	138537	2
2	SPACE, GUIDE BAR COVER, COMMON	152393	2
3	WASHER, FLAT, SAE, 3/4	153523	4
4	SHIM, .045 THK .750 ID 1.250 OD	153699	2
5	PIN, COTTER 1/8 X 1 - 1/2	153861	2
6	TRUCK, FRONT	154231	1

FIGURE 12 - PARTS LIST: MK-2025SSP LPG ASSY. WATER VALVE P/N 153888

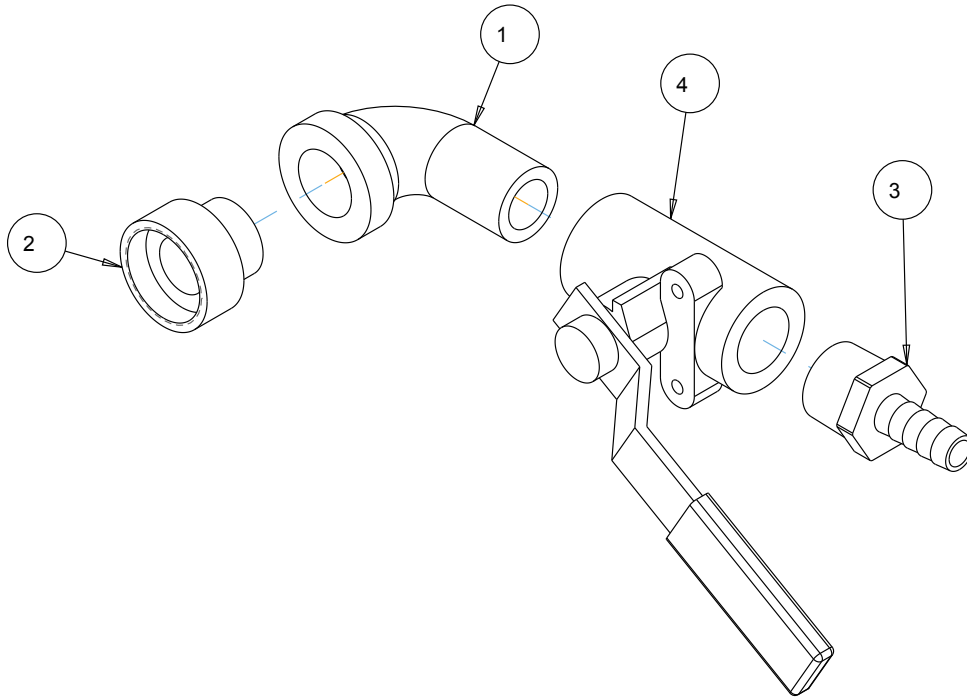


FIGURE 12 - PARTS LIST: MK-2025SSP LPG ASSY. WATER VALVE P/N 153888

ITEM NO.	DESCRIPTION	PART #	QTY. REQ.
1	ELBOW, 1/2 MNPT 90 STREET, GLAV	150844	1
2	FITTING, 1/2 MNPT X 3/4 FNH	151322	1
3	FITTING, 1/2 MNPT X 3/8 BARB	153653	1
4	VALVE, BALL 1/2"	153796	1

FIGURE 13 - PARTS LIST: MK-2025SSP LPG TRANSMISSION P/N 169711

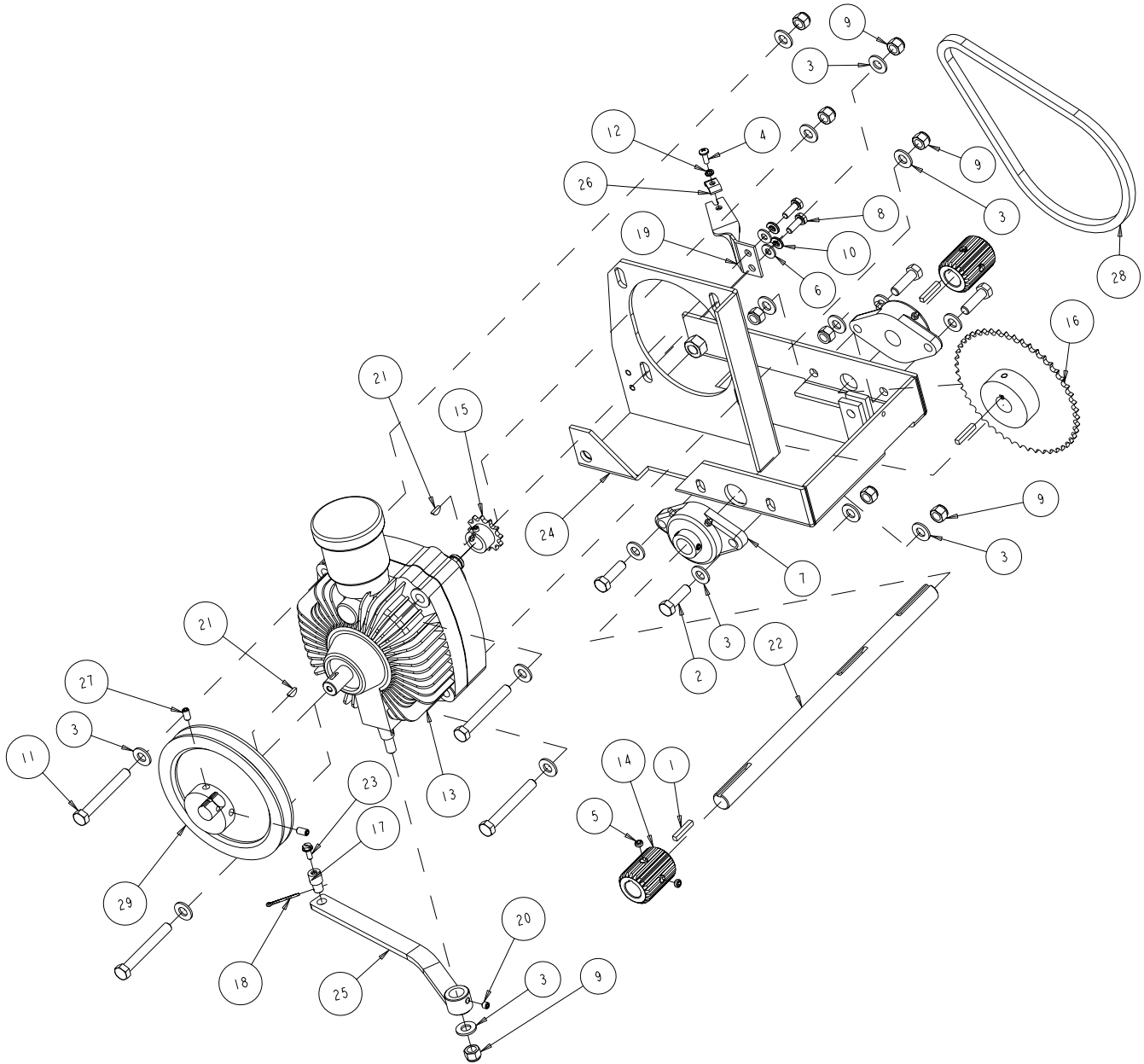


FIGURE 13 - PARTS LIST: MK-2025SSP LPG TRANSMISSION P/N 169711

ITEM NO.	DESCRIPTION	PART #	QTY. REQ.
1	KEY, 3/16 SQ X 1 - 1/8	150344	3
2	SCREW, 3/8 - 16 X 1 - 1/4 HEX HEAD CAP	150774	4
3	WASHER, FLAT, SAE, 3/8	150923	17
4	SCREW, 10 - 32 X 1/2 PAN HEAD PHILLIPS MACHINE	151052	1
5	SCREW, SET, CUP PT, 5/16 - 18 X 3/16	151167	4
6	WASHER, 1/4 SAE FLAT	151915	2
7	BEARING, Ø 3/4 FLANGE	152025	2
8	SCREW, HEX HD, 1/4 - 20 X 3/4	152370	2
9	NUT, 3/8 - 16 NYLOK HEX	152505	9
10	WASHER, 1/4 SPLIT LOCK	152591	2
11	SCREW, 3/8 - 16 X 3 HEX HEAD CAP	153113	4
12	WASHER, #10 SPLIT LOCK	153684	1
13	PUMP, TRANSMISSION	153783	1
14	SPLINE, 1 - 1/2 X 2	153786	2
15	SPROCKET, #35-B12 X 17 MM BORE	153811	1
16	SPROCKET, #35-B12 X 17 MM BORE	153812	1
17	PIN, WIRE STOP	153842	1
18	PIN, COTTER 1/8 X 1 - 1/2	153860	1
19	BRACKET, TRANS CONTROL	153862	1
20	SCREW, SET CNE PT 1/4 - 20 X 1/4	153864	1
21	KEY, WOODRUFF, 1/8 X 1/2	153865	2
22	SHAFT, FRICTION DRIVE	153891	1
23	SCREW, HEX HD FL 10 - 24X 5/16	154172	1
24	MOUNT, TRANS	154230	1
25	LEVER, TRANS CONTROL	154238	1
26	CLAMP, CABLE	154383	1
27	SCREW, 1/4 - 20 X 1/2 SOCKET HEAD SET	155804	2
28	CHAIN, ROLLER	156309	1
29	PULLEY, A6.2 X 17 MM BORE, OFFSET	164565	1